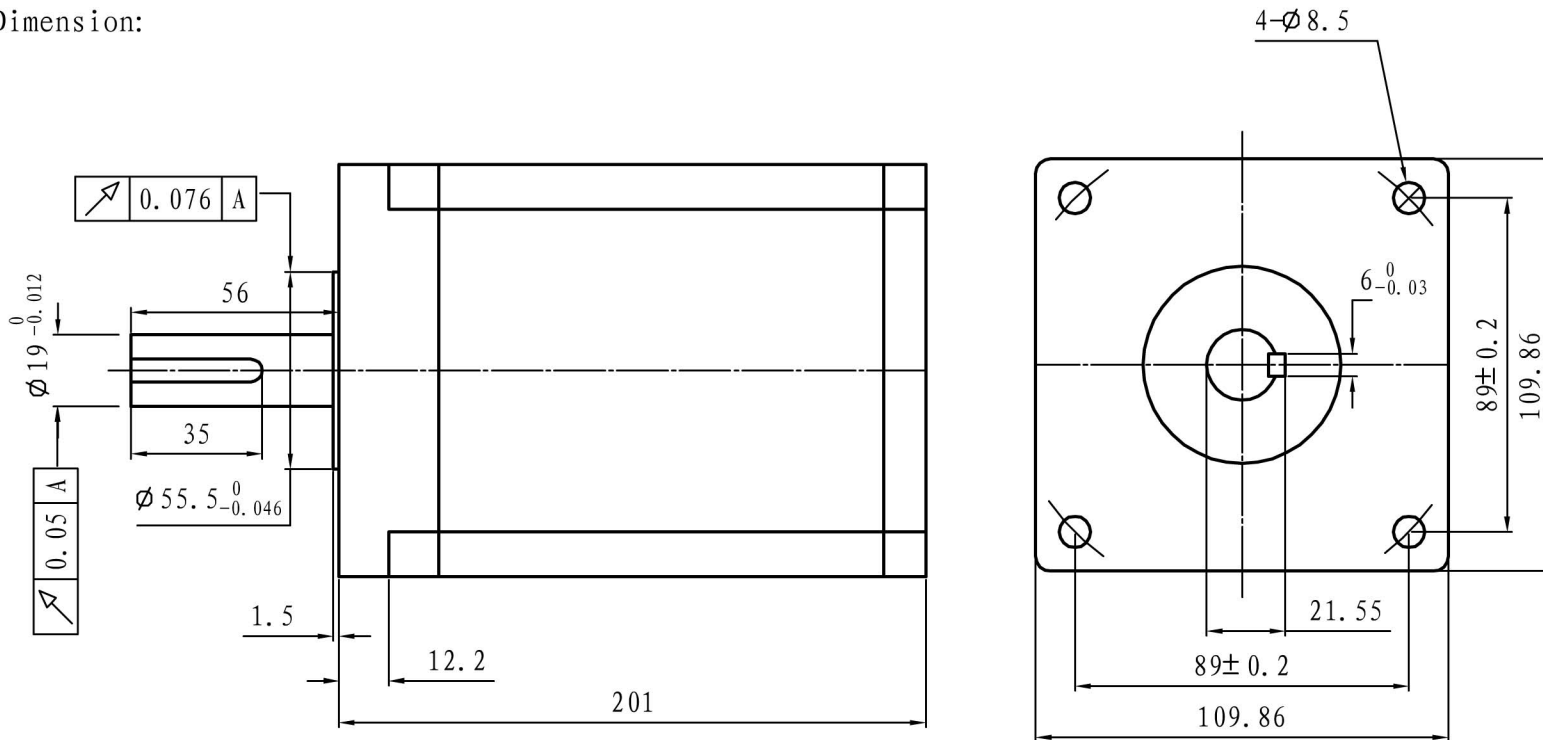
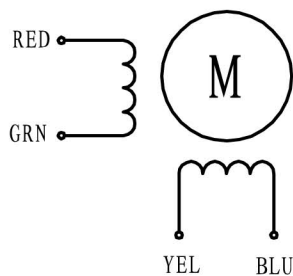


Dimension:



Specifications:

Wiring Diagram:



红绿黄蓝
AF-200 长310mm

Phase	Step Angle	Current	Resistance	Inductance	Holding Torque	Rotor Inertia	Weight
	Deg/Step	A	ohms	mH	N.m	gcm ²	Kg
2	1.8	6.5	1.2	22	28	16200	11.7

DESIGN	DATE	P/N.
REV	ECN NO	DESCRIPTION
DRN	APP'D	DATE
UNLESS OTHERWISE SPECIFIED TOLERANCES:		TITLE
DECIMALS: .x ±0.5		SPECIFICATIONS
ANGULAR: .xx ±0.25		USED ON
.xxx ±0.1		110CM28
UNIT: mm		DWG NO.
DO NOT SCALE DRAWING		REV
THIRD ANGLE PROJECTION	SCALE	深圳市雷赛智能控制股份有限公司
	SHEET	OF